

- Compared with the conventional 6 EVF-32A battery, the capacity increased by % 55, corresponding to the same configuration of the vehicle continued mileage increased by % 55.



Best Loading Requirement

- Starting current less than 44,0A, the normal current less than 22,0A, with 48V 1050W, 60V 1300W, 72V 1550W motor or below the powers.

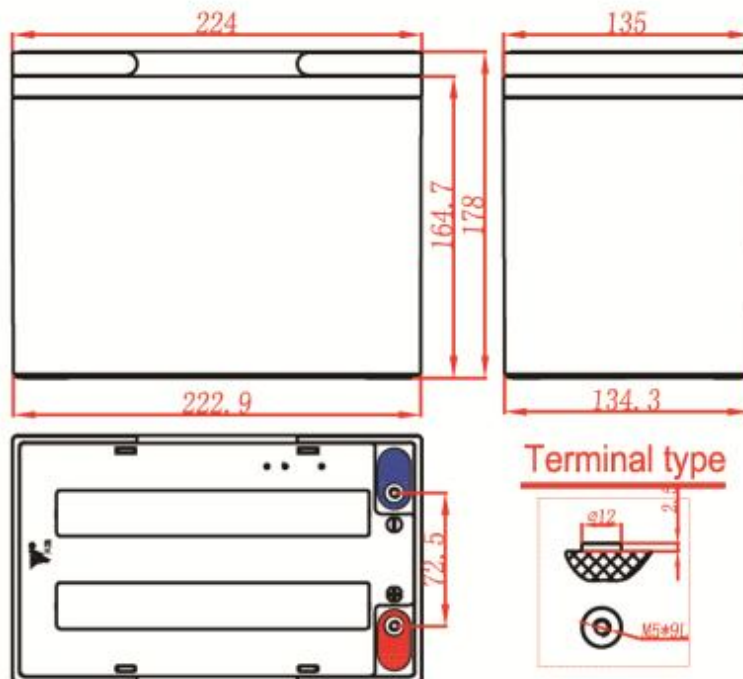
Applications

- 48V 50Ah Medium Electric Tricycles
- 60V 50Ah Medium & Large Electric Tricycles
- 60V 50Ah, 72V 50Ah Electric Motor Vehicles

Some Vehicles' Mileage Forecast

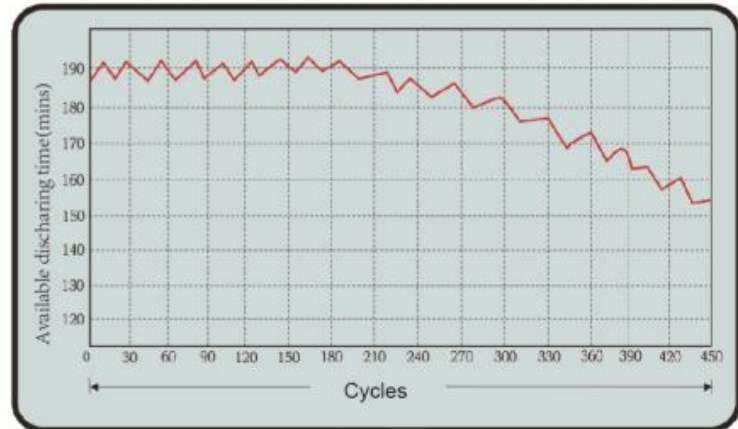
Model	Rated Power	Real Power	Mileage Per Charge
48V 50Ah Tricycle	500W	850W	65 Km
60V 50Ah Tricycle	800W	1100W	80 Km
60V 50Ah EMV	500W	750W	120 Km
72V 50Ah EMV	500W	900W	120 Km

The data is only a reference to the current market popular Vehicles' model.



Battery Model	YGD12-40(A)						
Capacity (25°C)	10 HR (4.2A)	5 HR (8.1A)	3 HR (12.7A)	2 HR (18.8A)	1 HR (34.1A)	30 Min. (56.6A)	15 Min. (92.8A)
	53.0 AH	52,0 AH	50.0 AH	47.6 AH	43.3 AH	36.0 AH	29.0 AH
Dimensions	Lenght		Width		Height		Total Height
	224 mm		135 mm		178 mm		180 mm
Approx Weight	15,1 kg ± %3						
Self Discharge	Capacity declined @25°C, 3 months %10, 6 months %20, 9 months %35						
Capacity Affected By Temperature (3 HR)	40°C	25°C		0°C	-12°C		
	%102	%100		%85	%75		

16.7A Discharging diagram@25°C±2°C

100%DOD Life diagram@25°C±2°C


Charge characteristics

