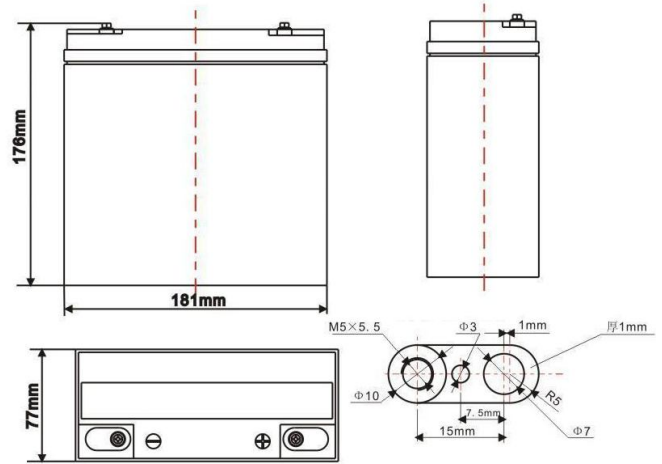
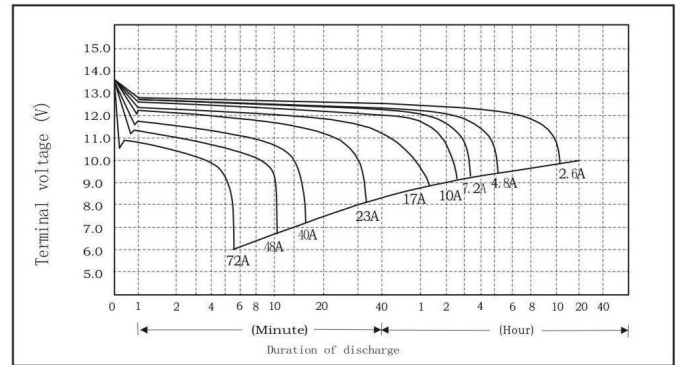


12V 20Ah(C2) Gel Electric Bike Battery



Discharge Characteristics 77°F(25°C)



Specifications

Nominal Voltage		12V
Rated Capacity(2 hour rate)		20AH
Dimension	Total Height (with terminals)	176mm(6.94inches)
	Height	169mm(6.66inches)
	Length	181mm(7.13inches)
	Width	77mm(3.03inches)
Weight		Approx. 7.0kg(15.44lbs)

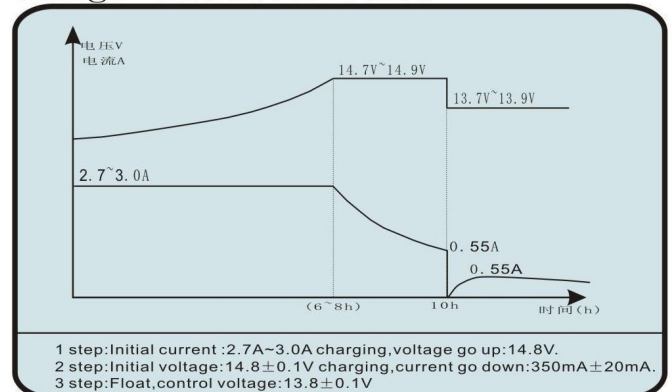
Characteristics

Capacity 77°F (25°C)	10 hour rate (2.6A)	26AH
	5 hour rate (4.8A)	24AH
	3 hour rate (7.2A)	21.6AH
	2 hour rate (10A)	20AH
	1 hour rate (17A)	17AH
	30 min rate (23A)	11.5AH
	15 min rate (40A)	10AH
	10 min rate (48A)	8AH
Internal Resistance	Full charged Battery 77°F (25°C)	12mΩ
	Capacity affected by Temperature (20 hour rate)	
Self-Discharge 77°F (25°C)	104°F (40°C)	102%
	77°F (25°C)	100%
	32°F (0°C)	85%
	5°F (-15°C)	65%
Max. Discharge Current 77°F (25°C)	Capacity after 3 month storage	90%
	Capacity after 6 month storage	85%
	Capacity after 12 month storage	70%
Terminal	Standard	F1
	Optional	F2
Charging (Constant Voltage)	Cycle	Initial Charging Current 3.0A or small 14.4V~14.8V/77°F (25°C)
	Float	13.5V~13.8V/77°F (25°C)

Life Diagram (25°C ± 2°C)



Charge Characteristics



Note The above data are average values, and can be obtained within 3 charge/discharge cycles. These are not minimum values.

Yiğit Akü A.Ş.

Organize Sanayi Bölgesi Oğuz Caddesi No: 2 Sincan / Ankara - TURKEY
Tel : +90 312 267 02 80 - Fax: +90 312 267 08 61 - 267 40 00
endustriyel@yigitaku.com
www.yigitaku.com